



Simulation | Optimization | Digital Twin | Separation

www.mysep.com

Check out the new MySep Studio V6.0.2

MySep Studio v6.0.2 was released this May after the ground-breaking introduction of v6.0.0 in October 2023. This builds some significant developments on the foundations of v6.0.0's new architecture and its outstandingly slick User Interface.

The flexibility and ease of use of the new MySep Studio, has found wide acceptance amongst separation specialists and process engineering practitioners worldwide.

While many users have already migrated to MySep Studio v6.0, we continue to offer free transition training for our product licensees.

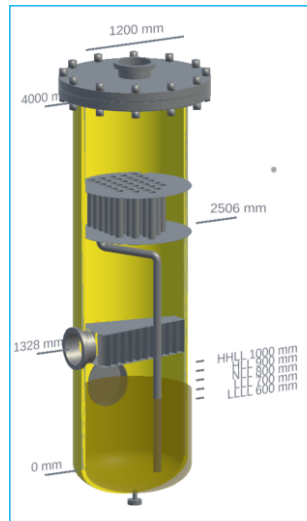
Book FREE v6.0 transition training !
Email: info@mysep.com

This latest release includes new features and improved robustness to the vessel layout diagram.

New features in v6.0.2 include:

- Liquid-sealed agglomerators
- Proper representation of vertical vessel body flanges
- Improved visualization of liquid motion

- Sensitivity analysis and operating envelope options in Reports



Layout with body flange

Users can now replicate a liquid sealed agglomerator in a horizontal vessel. Whilst not generally recommended by MySep, liquid-sealed (or partially-submerged) agglomerators are sometimes found in installed equipment and can contribute to good gas-liquid separation when coupled with appropriate demisting devices.

Check out the Tech Tip below to find out how this arrangement can be specified.

Still less than one year old, users report the latest release is exceptionally intuitive, easy to use and very robust. We find when demonstrating our software to prospective customers, we can bring out clearly the incremental gas-liquid and liquid-liquid modelling advantage that MySep Studio delivers.

[Find out more on MySep Studio v6.0.2](#)

New Adopters of MySep Software

MySep software is widely recognised at The Standard for process phase-separator performance modelling and design.

International engineering contractors joining the growing list of users include **Baker Hughes, Aker Solutions, MMC and Larsen and Toubro.**

In the specialist equipment suppliers' segment of the Oil and Gas supply chain, **Koch Glitsch and John Zink** join the growing ranks of MySep software licensees.

Worldwide Showcase

The MySep team has been busy showcasing the benefits of the industry's gold standard in separation software for modelling, analysis and optimization. We provide experts for industry and professional panels at seminars, conferences and online through webinars. A snapshot of some include:

Three of our executive team joined the annual Offshore



Out and about at OTC 2024

Technology Conference (OTC) in Houston, Texas 6-9 May 2024. Pictured clockwise from left, (1) Yuridia Sanchez of PEMEX Procurement International, Inc., Juan Ramón Rojano of Pemex, and Ed Edward Hernandez of MySep. (2) Tom Ralston visits the Kuwait Gulf Oil Company/Aramco Gulf Operations (KJO - Al Khafji Joint Operations) team and (3) Abdulaziz S. Al Shemali of KJO with Ed Hernandez, explaining the value of MySep's Industry Standard separator modelling, in simulation Digital Twins.

MySep was also Silver Sponsor of the OGV Group OTC Business Breakfast, where we picked up insights directly from some of the event's industry-leading speakers. These included John Ardill, VP of Exploration with Exxon Mobil and Rob Schapiro, Senior Director of Partnerships with Microsoft.

Networking with Partners & Mutual Customers



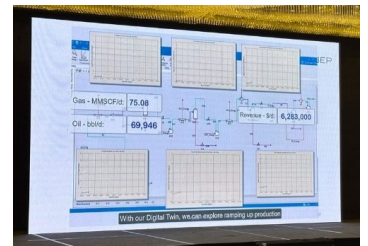
[Aspen Technology OPTIMIZE | 24](#) world partners event in Houston, TX (29 April - 3 May).

MySep Co-founder and Director, Guy Hellinx with some



of AspenTech's Engineering leadership. Left to right: Sujit Potdar (Senior Product Manager), David Fenton (VP Research & Development), Sonali Singh (VP Product Management), Guy, and David Tremblay (Senior Director-Product Management).

Our business development manager Avinash Ravendran and MySep Pte Ltd Managing Director, Cris Heijckers attended the [SLB Symmetry](#) User Group in Kuala Lumpur, Malaysia.



Here Cris presented on 'Boosting Production Margins by Optimizing Separation.'

Cris demonstrated how a MySep-activated Digital Twin



Cris congratulated by SLB

on the Symmetry simulation platform can resolve separation bottlenecks. He showed how this can allow users to

drive a multimillion-dollar revenue increase.

MySep Training – the “Foresight 500”

In 2021, MySep developed training materials and procedures for web delivery. We retained the key elements of separation theory, good operating practices, and hands-on exercises for performance evaluation and design. Considerable focus is given to MySep Studio analysis. Trainees will also experience building a process Digital Twin with embedded MySep Engine modelling. Exercises use the customer’s preferred process simulator. We remain committed to a high-quality, instructor-led syllabus. This month, we achieved the amazing milestone of training over 500 process engineers in the past 3½ years

Is MySep Training well received? Somewhat typical is the opinion of Wayne Gajadhar, lead process engineer of Heritage Energy, Trinidad & Tobago, as expressed in his recent LinkedIn post:

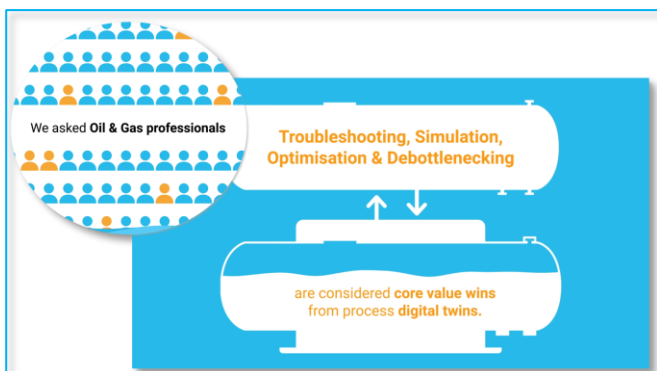
“We extend our sincere appreciation to Tom Ralston and the MySep Pte Ltd team for their invaluable guidance during the recent training session on the Separator program, MySep, tailored specifically for the Heritage Engineering Team. The training was not only informative but also meticulously designed to align with the unique requirements of Heritage operations.”

Find out more about [MySep Training](#) on our website.

We thank those many customer companies who have the foresight to train their engineering teams on good separation operating and design practice. Our customers find the Syllabus a great foundation to maximize the value of their MySep software licensing.

Survey on Digital Twins

In autumn 2023 we conducted an industry-wide Digital Twin survey. This was designed to provide objective insights into the application of process digital twins and to gauge the value of including rigorous separation modelling within these.



Results reinforced observations that companies are adopting digitalization strategies with strong emphasis on application of process Digital Twins to optimize operations.

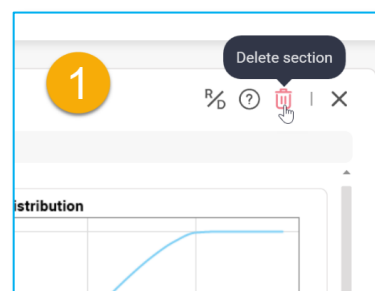
To summarize the background and results, we prepared an animated video and supporting Web-page, access: [Survey Results Here](#)

The MySep team would like to record our sincere appreciation to all those industry practitioners, and other interested parties, who were kind enough to submit their views.

Top Tech Tip

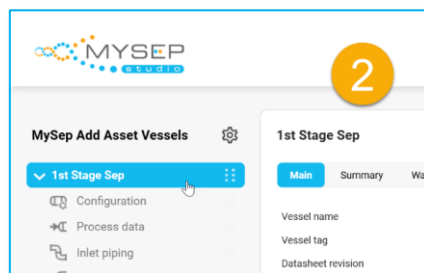
MySep Studio v6.0.2 allows you to specify a “liquid-sealed” agglomerator in a horizontal vessel. This could be useful to represent a field installation.

As a first step we’ll have to delete any existing demisting devices (these can be reinstated



later). Clicking on the header of any section gives access to the **Delete section** button (a red trashcan symbol).

A second key step is adding a new section. A click on the vessel header in our vessel navigation tree, reveals some controls, on the upper right of the active window.



As shown below, you can use the “**Add section**” button to select “**Add Agglomerator**” from the list presented.

Similar steps will allow you to add a second gas section and then to reinstate the demisting device.

